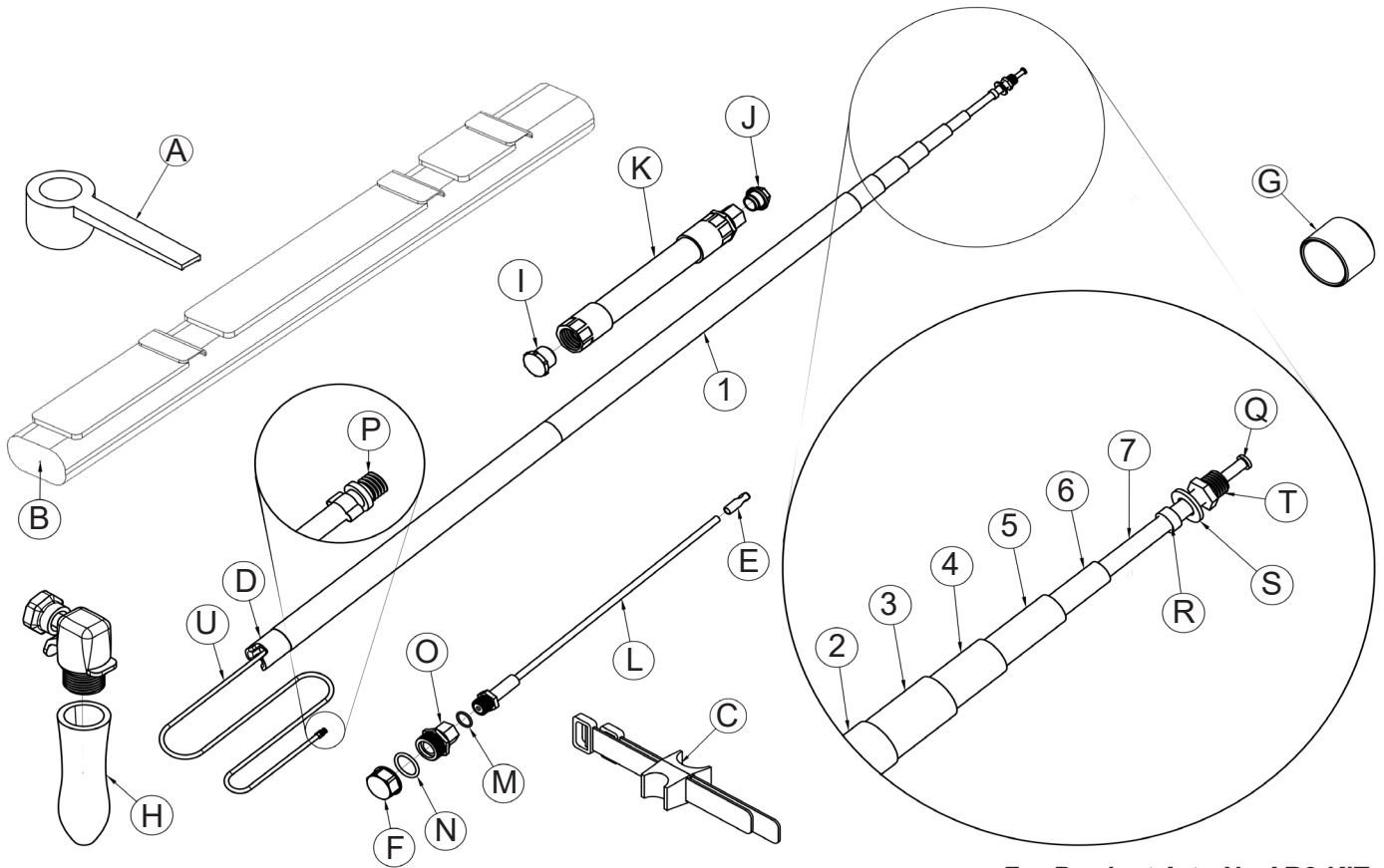


AR 8 Adjustable Telescopic Dusting Lance

Component Parts



For Product Art - Nr. AR8-KIT

Key	Replacement Parts / Component Description	Art - Nr.	Quantity
1	Replacement Pole Section 1 (Base)	AR8-01	1
2	Replacement Pole Section 2	AR8-02	1
3	Replacement Pole Section 3	AR8-03	1
4	Replacement Pole Section 4	AR8-04	1
5	Replacement Pole Section 5	AR8-05	1
6	Replacement Pole Section 6	ARL38-06	1
7, P, Q, R, S, T, U	Replacement Pole Section 7 (Top) - Contains the following: CO2 Trigger Connector (P), AR 8 Tube End Stop (Q), Lance Rubber Washer (R), Lance White Washer (S), Lance Threaded Connector (T) and full AR 8 Hose Kit (U).	AR38-07	1
A	5g Powder Scoop	ARBULB-03	1
I, J, K	Powder Chamber Kit - Contains the following: Powder Chamber Tip Cap (Red) (I), Powder Chamber Lance Connection Cap (Yellow) (J), and AR 8 Powder Chamber (K)	AR38-09	1
E, F, L, M, N, O	Flexible Nozzle Kit - Contains the following: Flexible Nozzle Tip Cap (Yellow) (E), Flexible Nozzle Screw Cap - Large Yellow (F), AR 8 Flexible Nozzle (L), AR 8 Flexible Tip Small O-Ring Seal (M), AR 8 Flexible Tip Large O-Ring Seal (N) and AR 8 Flexible Tip to Powder Chamber Connector (O).	AR38-10	1
B	Heavy Duty Carry Case (Bag only without tubes)	AR38-11	1
C	Trigger Strap	AR38-12	1
P, Q, U	AR 8 Hose Kit - Contains the following: CO2 Trigger Connector (P), AR 8 Tube End Stop (Q) and Hose Kit (U)	AR8-13	1
D	Rubber End Foot	AR8-14	1
E	Flexible Nozzle Tip Cap (Yellow)	AR38-15	1
I, J	Powder Chamber Caps (2 pcs) - Contains the following: Powder Chamber Tip Cap (Red) (I) and Powder Chamber Lance Connection Cap (Yellow) (J)	AR38-16	1
F	Flexible Nozzle Screw Cap - Large Yellow	AR38-17	1
G	End Cap	AR8-18	1
H	CO2 Trigger	AR38-19	1